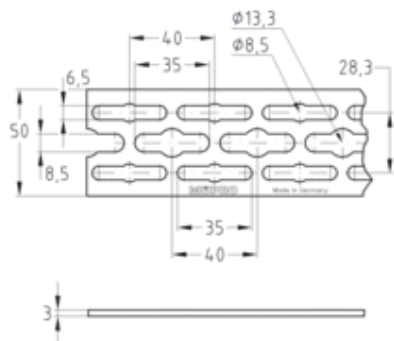


StaboFix® fixing system



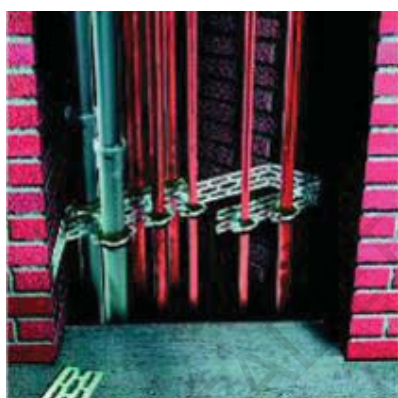
Article

StaboFix® Sections, 50 x 3 mm, length: 2.000 mm, galvanised 129076

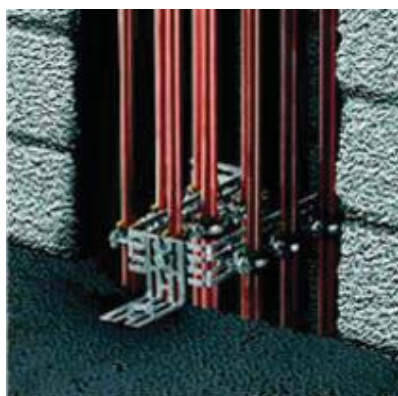
StaboFix® Retaining plates, galvanised

Part no.

129073



Installation in a shaft: Double-sided bolted installation with two MÜPRO Pipe Clamps and an MÜPRO Threaded Pin M8 or M10 for the fixing of parallel MÜPRO Pipes.



Installation in a shaft: With the StaboFix® M8 Bolt, MÜPRO Pipe Clamps are fitted in no time.



Wash basin installation: Installation in tight wall recesses



Wash basin installation: Everything fitted to the exact dimensions.



Installation in a wall: Washing machine waste pipe.



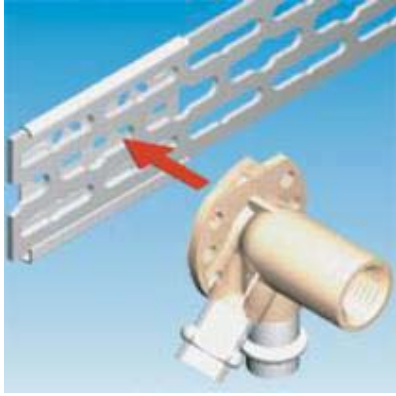
Wall-mounted installation: Wall-mounted installation with StaboFix® together with MÜPROMPC Channel Supports.



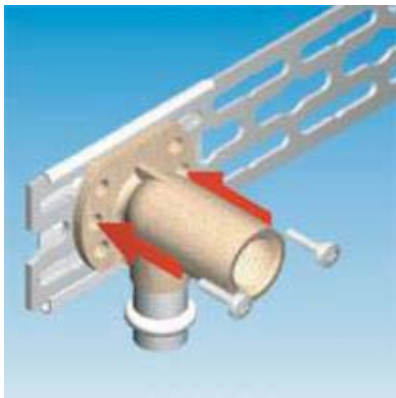
StaboFix® Retaining Plate with the long leg inserted into the Section and pressed upwards.



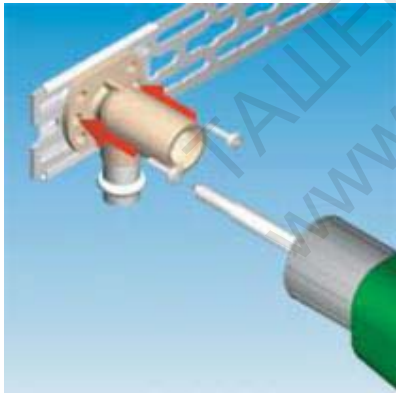
Press the Retaining Plate onto the Section and allow it to click in.



Adjust the fitting to the RetainingPlate and the Section. The mounting can also be done at a 45° or 90° angle.



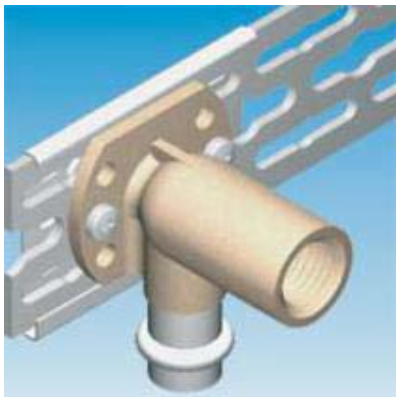
StaboFix® Drilling Screws aligned with the holes ...



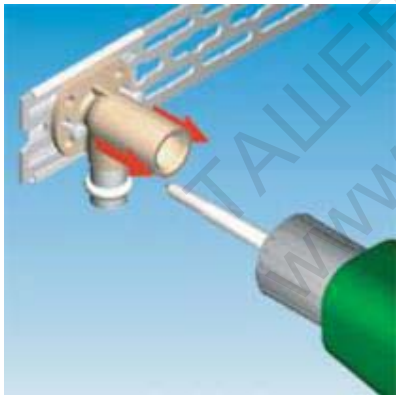
... and screwed together with the unit. (Note: do not overtighten the Drilling Screws).



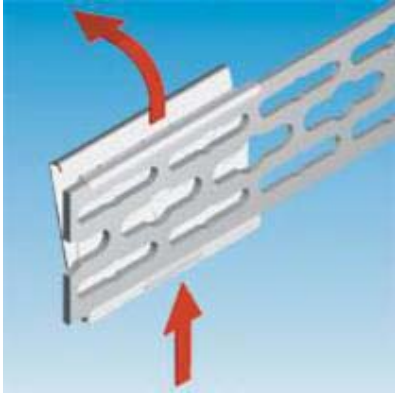
Fitting and unit are now firmly screwed together.



Unscrew the screws ...



... and remove the wall-fitting.



Press down on the Retaining Plate and pull off towards the rear.

ТАШЕВ-ГАЛВИНГ ООД
www.tashev-galving.com